

Riso presents the ComColor 9050 A3 full colour printer - a powerful EcoCopier engineered to print high volumes at ultra high speed, year after year - specifically designed to give you the ultimate in ease of use.

CC 9050 A3

Just because you go green...doesn't mean you can't have colour!

Speed up your Colour Communications

HIGH SPEED VERSATILITY

The 9050 A3 ComColor, with an output speed of **150ppm**,¹ is the world's fastest² full colour printer, completing a 1,000 page document in just a little over six minutes. It's Riso's high end, full-featured solution for time-sensitive applications or super-high-volume users such as print service providers, in-plants, and large offices.

HIGH VOLUME, PERFORMANCE

Our EcoCopiers are not only incredibly fast - they're also built for heavy-duty use with high-volume print jobs. Maximum paper capacity is 2,500 sheets^{3,4} or 1,000 sheets,⁵ meaning you can do long unattended print runs. And one set of CMYK ink cartridges⁶ contains enough ink to print over 60,000 A4 pages,⁶ again meaning you can just start printing your document and then attend to other business while the EcoCopier gets the job done.



ENGINE TECHNOLOGY FORCEJET™



IN-LINE PRINT HEADS FOR HIGH OUTPUT SPEED

FORCEJET™ printing technology is based on the high-performance inkjet technology developed for demanding commercial applications. Four in-line ink jet heads (cyan, black, magenta, yellow) are arranged in parallel, allowing full-colour printing of A3 size paper at a single pass. Eight-step control for each individual ink drop assures superb results even at these copiers ultra high speed.

HIGH SPEED DUPLEX PRINTING

Printing both sides of the paper is as easy as single-sided printing - and just as fast. Once the front of a sheet is printed, the paper is reversed via a switchback, stackless mechanism that allows the reverse to be printed. The innovative mechanism achieves astonishing print speeds of 75 duplex / 150 simplex ppm,^{1,4} dramatically improving productivity and also reducing paper consumption.

STRAIGHT PAPER PATH FOR STABLE FEED

Paper feeds horizontally beneath the print heads in a straight path, helping to achieve high print speed with minimal print offset. Multiple sensors and motors give micro-control of paper feed to match ink quantity sprayed from the print heads.

SPECIAL FAST-DRYING INK

Riso developed special fast-drying oil-based inks for the ComColor series. Since they are fast-drying they allow ultra high speed duplex printing, preventing transfer to the back of the following sheet when stacked in the output tray, and also eliminating paper curling. With both fade-and water-resistance, these inks are ideal for high-level business use.

WIDE PRINT AREA

With the use of an optional feed tray, the ComColor series can handle paper sizes up to 340 mm x 550 mm (13 3/8" x 21 5/8"). Maximum print area at 314 mm x 548 mm (12 3/8" x 21 9/16"),⁴ exceeds the size of A3 pages.

*1: A4 long-edge feed, simplex, continuous printing, plain paper (85g/m²(23-lb bond)) in standard mode (print density setting 3). Chart used: Print measurement pattern (Colour measurement sample 2 (JETA standard pattern J6))
*2: A4 long-edge feed, simplex, Continuous printing in standard mode, based on office colour printers using cut sheet commercially available as of May 2009. (Source: Riso data)
*3: When using plain paper (85g/m²(23-lb bond))
*4: Available on ComColor 9050/7050
*5: 1,000-ml ink cartridges
*6: A4 simplex, Riso colour standard originals (cyan, magenta, yellow, black total cover ratio 20%) in standard mode (print density setting 3).



ENGINEERED FOR EASY USE

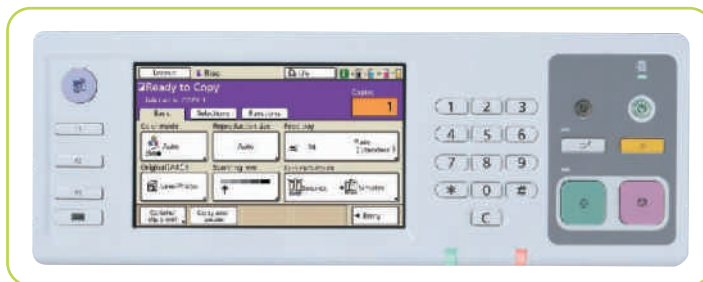
DESIGNED TO ENHANCE OPERATING EASE

COLOUR LCD TOUCH SCREEN

The large 8.5inch LCD touch screen puts all operations at your fingertips. The various screens are logically arranged for step-through, no-miss operation, and you can even put shortcuts to your most frequently-used commands on the top screen to speed up the entire printing process.

INTERRUPT COPIES

If you have a rush job, but the printer is in the middle of a long run, you can use the "interrupt copies" function to stop printing, run off the urgent job, and then resume printing of your original document.



COPY & SCAN HIGH-SPEED 40PPM COLOUR SCANNER



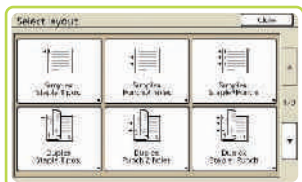
Scanner HS 4000

Add the optional colour scanner unit and your printer offers all the ease and convenience of a conventional colour copier, but with much greater speed. With its high 40ppm speed¹, 100 sheet capacity² and automatic single/double-sided scanning capabilities, the scanner unit not only gets the job done quickly and conveniently, it also allows you to copy preprinted materials or incorporate them into documents you have prepared on your computer.

¹: A4, long-edge feed, simplex
²: paper smaller than B4

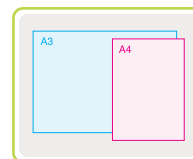
SELECT LAYOUT

Choose from a selection of preset layouts/finishing options displayed on screen. One-touch access to your most frequently-used layouts makes operation even faster and more convenient.



MIXED SIZE ORIGINALS

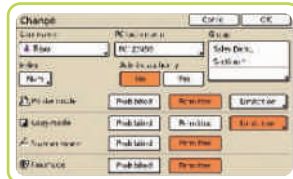
Sometimes you may wish to scan and combine various originals into a single document, but the original documents may not all be the same size. The "mixed size originals" function overcomes this problem, automatically,



ACCESS CONTROL

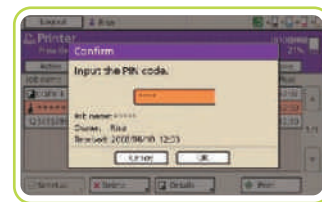
USER CONTROL

Bundled Riso software lets the network administrator monitor and control printer usage. Information such as the number of copies printed, paper type, optional processing, job comments and more can be viewed from the administrator's computer and saved to a CSV file for later analysis. This allows efficient management of operations and assures correct inter-department printer usage.



PIN CODE

Confidential documents need to be kept away from prying eyes, even when they are being printed. PIN code security lets you accomplish this. Simply specify a PIN code of up to eight digits when sending the job to the printer. Enter the PIN code on the control panel to immediately print your job (even if other jobs are already queued in the printer's memory) while you wait and make sure no unauthorised personnel see your confidential document.



IC CARD AUTHENTICATION KIT

This optional kit prevents unauthorised use. Only authorised users are issued with an access IC card* and details of print usage such as the number of copies and frequency of usage for each authorised staff member are stored for later retrieval and analysis.

* Applicable Card: ISO 14443 Type A/ Type C (FeliCa/Mifare)

COST-SAVING FEATURES

AUTO COLOUR MODE

Designed for documents with a mixture of colour and black-and-white pages, the auto colour mode senses the presence or absence of colour and controls ink usage to reduce ink consumption and save costs.



BLANK PAGE CUT DOWN

This function automatically skips blank pages in your document to save both time and paper, and further reduce running costs.



ENERGY

Maximum 1,000W,
Ready: 250W,
Sleep: Maximum 45W,
Stand-by: Maximum 1W.



POWER SAVE SETTING

To cut down on electricity costs, the touch panel switches off after a user-specified period of time. A single touch on the screen brings it back to life. The printer also enters sleep mode after a user-specified period, minimizing energy consumption while keeping the printer ready for virtually instant operation.



OPTIONS

Riso's wide range of options allows you to customise your printer to exactly match the way you want to work. A selection of stacking trays lets you specify how the printer stacks your documents, while the Envelope Feed Kit and the Card Feed Kit broaden your printing horizons. The multifunctional finisher opens up a whole new world of automated versatility, giving your documents a genuinely professional look.

FACE DOWN TRAY/ FACE DOWN OFFSET TRAY

Specify which of these options you desire when you place your order for the printer. The Face Down Tray neatly stacks your finished documents, while the Face Down Offset Tray offsets each individual complete document, making them easy to separate.



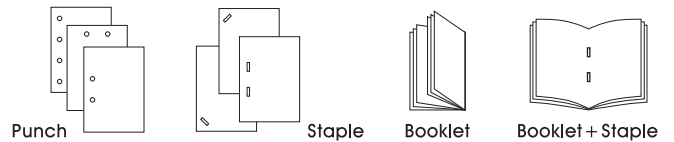
CONTINUOUS OUTPUT

With the Riso auto-controlled Stacking Tray II or Multifunction Finisher attached, the printer will automatically switch over to the secondary output tray when the primary tray is full. This allows very long print runs without the need for an operator in attendance.



MULTI-FUNCTIONAL FINISHER

The versatile finisher saves time and trouble, automatically punching holes, stapling, folding booklets, and even center-stapling booklets. It's the fast, efficient way to turn out truly professional-looking documents.



ENVELOPE FEED KIT/ CARD FEED KIT



The optional Envelope Feed Kit and Card Feed Kit further broaden the printer's range of applications. As the names suggest, the Envelope Feed Kit lets you print envelopes up to 270mm x 382mm (10 5/8" x 15 1/16"), while the Card Kit lets you print on heavier stock up to 400g/m² (107-lb bond).

RISO AUTO-CONTROL STACKING TRAY II/ WIDE STACKING TRAY

Paper guides on the Riso Auto-control Stacking Tray II automatically open to the correct width to match the paper supply selected. The Wide Stacking Tray is designed to accept larger paper sizes, up to 340mm x 550mm (13 3/8" x 21 5/8").



PS OPTIONS

ComColorExpress IS 900 C



Adobe® PostScript® 3™

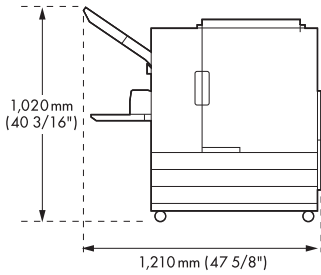
An optional RIP system employing Adobe® PostScript® 3™ lets you print PostScript data created with DTP software. Processing and storage is fast thanks to an Intel® Core™ 2 Duo Processor and 320 GB hard disk. The system comes with 139 fonts and commercially available PS fonts may also be installed. You can rely on the power of Adobe PostScript 3 to accurately print the most complex, visually rich documents.



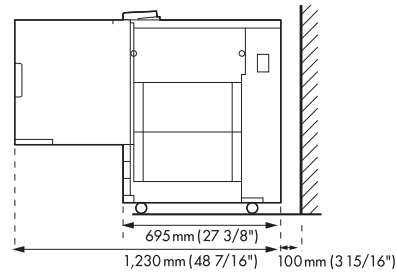
DIMENSIONS

COMCOLOR MAIN UNIT

• FRONT SIDE



• LATERAL SIDE



WIDTH

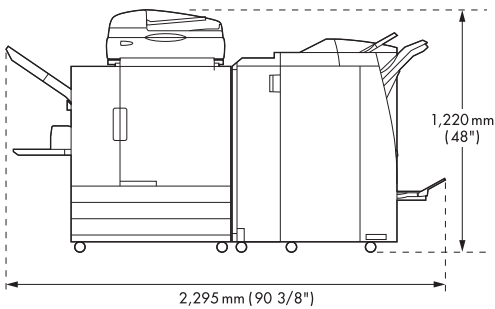
ComColor Main Unit	1,210 mm (47 5/8")
with Scanner HS 4000 & Stand HS 4000	1,220 mm (48")
with Face Down Offset Tray	1,240 mm (48 13/16")
with RISO Auto-control Stacking Tray	1,710 mm (67 5/16")
with Wide Stacking Tray	1,830 mm (72")
with Face down Offset Tray & RISO Auto-control Stacking Tray II	1,740 mm (68 1/2")
with Face Down Offset Tray & Wide Stacking Tray	1,860 mm (73 1/4")
with Multifunction Finisher	2,295 mm (90 3/8")

DEPTH

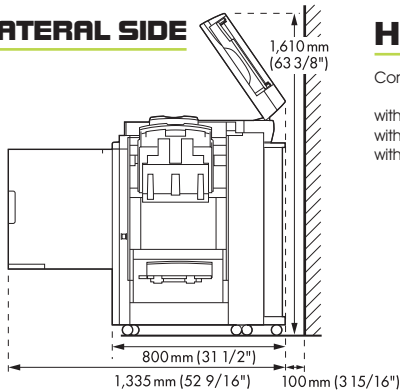
ComColor Main Unit	1,230 mm (48 7/16")
with Scanner HS 4000 & Stand HS 4000	1,335 mm (52 9/16")
with Multifunction Finisher	1,275 mm (50 3/16")

• COMCOLOR MAIN UNIT + ACCESSORIES

• FRONT SIDE



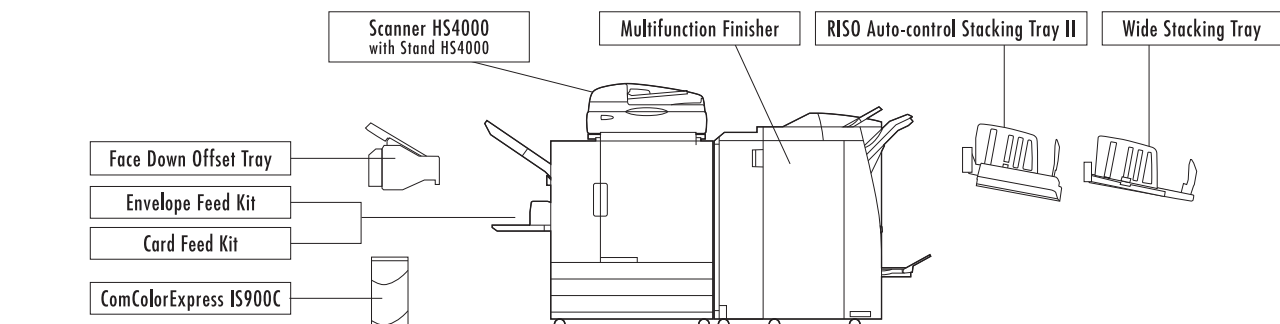
• LATERAL SIDE



HEIGHT

ComColor Main Unit	1,020 mm (40 3/16")
with Scanner HS 4000 & Stand HS 4000	1,610 mm (63 3/8")
with Face Down Offset Tray	1,105 mm (43 1/2")
with Multifunction Finisher	1,165 mm (45 7/8")

ACCESSORIES



ECO COPIER SPECIFICATIONS

COM COLOR 9050

Print Type		Line-type Inkjet System
Print Head		Piezo-type, Physical Resolution 300dpi, 8 Gradation
Ink Type		Oil-based Pigment Ink
Resolution		Standard: 300 dpi (main scanning direction) x 300 dpi (sub-scanning direction) Fine: 300 dpi (main scanning direction) x 600 dpi (sub-scanning direction)
Data Processing Resolution		Standard: 300 dpi (main scanning direction) x 300 dpi (sub-scanning direction) Fine: 300 dpi (main scanning direction) x 600 dpi (sub-scanning direction) Line Smoothing: 600 dpi (main scanning direction) x 600 dpi (sub-scanning direction)
Warm-up Time		2 min. 45 sec. or less at room temperature of 20°C (68°F)
First Print Time*1		8 sec. or less
Continuous Print Speed*2	A4 long-edge feed	Simplex: 150ppm Duplex: 75 sheets/minute (150ppm)
	A4 short-edge feed	Simplex: 110ppm Duplex: 55 sheets/minute (110ppm)
	B4 short-edge feed	Simplex: 90ppm Duplex: 42 sheets/minute (90ppm)
	A3 short-edge feed	Simplex: 80ppm Duplex: 40 sheets/minute (80ppm)
	Letter long-edge feed	Simplex: 146ppm Duplex: 73 sheets/minute (146ppm)
	Letter short-edge feed	Simplex: 116ppm Duplex: 58 sheets/minute (116ppm)
	Legal short-edge feed	Simplex: 90ppm Duplex: 42 sheets/minute (90ppm)
	Ledger short-edge feed	Simplex: 78ppm Duplex: 39 sheets/minute (78ppm)
Paper size	Standard Tray	Maximum: 340mm x 550mm (13 3/8" x 21 5/8") Minimum: 90mm x 148mm (3 9/16" x 5 13/16")
	Feed Tray 1-3	Maximum: A3 (297mm x 420mm) Ledger (11" x 17") Minimum: 182mm x 182mm (7 3/16" x 7 3/16")
Printable Area		Maximum: 314mm x 548mm (12 3/8" x 21 9/16")
Guaranteed Print Area*3		Standard: Margin Width of 5mm (3/16") Minimum: Margin Width of 1mm (1/16")
Paper Weight	Standard Paper Feed Tray	46 g/m ² to 210g/m ² (12-lb bond to 56-lb bond)
	Paper Feed Tray 1-3	52g/m ² to 104g/m ² (14-lb bond to 28-lb bond)
Paper feed Method	Standard Paper Feed Tray	1,000 sheets (Height up to 100mm (3 15/16"))
Paper Tray capacity*4	Paper Feed Tray 1-3	500 Sheets (Height up to 50mm(2"))
Output Tray Capacity*4	Standard	500 sheets (Height up to 60mm(2 3/8"))
Page Description Language		Original PDL
Applicable Protocol		TCP/IP, HTTP, HTTPS, (SSL), DHCP, ftp, lpr, IPP, SNMP, port 9100 (RAW Port)
Supported Operating System		Microsoft Windows 2000, Microsoft Windows XP (32-bit version), Microsoft Windows 2000 Server, Microsoft Windows Server 2003 (32-bit version), Microsoft Windows Vista (32-bit version)
Network Interface		Ethernet 1000BASE-T, 100BASE-TX, 10BASE-T (2ch)
CPU		Intel Celeron-M440 (1.86GHz)
Memory Capacity		1GB
HDD		Capacity: 160GB, User available area: 140GB
Operating System		Linux
Power Source		AC 100-127/200-240 V, 50/60 Hz, 10.0/5.0A
Power Consumption		Maximum 1,000W, Ready*5: 250W, Sleep: Maximum 45W, Stand-by: Maximum 1W
Operating Noise		Maximum: 68 dB (when printing)
Operating Environment		Temperature: 15°C to 30°C (59°F to 86°F), Humidity: 40% to 70% (non-condensing)
Dimensions (WxDxH)	In use	1,210mm x 695mm x 1,020mm (47 5/8" x 27 3/8" x 40 3/16")
	In storage	1,150mm x 695mm x 990mm (45 1/4" x 27 3/8" x 39")
Required Space (WxDxH) * Feed trays opened		1,210mm x 1,230mm x 1,020mm (47 5/8" x 48 7/16" x 40 3/16")
Weight		Approximately 180kg (397 lb)

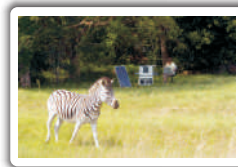
*1: Within 10 minutes after the last job. *2: When using plain paper (85g/m²(23-lb bond)), and density setting 3 (Standard). Chart used: Print measurement pattern (Colour measurement sample 2(JEITA standard pattern J6))
Continuous print speed varies depending on output options. *3: The margin when printing envelopes is 10mm(3/8"). The guaranteed area when printing images is the area enclosed within 3mm (1/8") of the edges of the paper.
*4: When using plain paper (85g/m²(23-lb) bond). *5: When not printing



ENVIRONMENTAL ACTIVITIES



Share Net WESSA



St. Nicholas Diocesan School supported by Riso, WESSA, and Climate Action Partnership

Proudly Sponsored by Riso Africa Pty Ltd



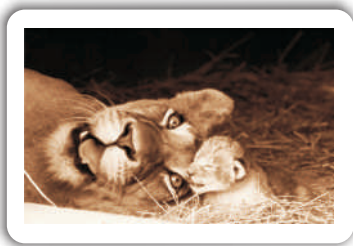
St. Nicholas Diocesan School



Food & Trees for Africa



Entabeni Safari Conservancy and the White Lion Conservation (Legend Wildlife Centre)



RISO logo, ComColor, ComColorExpress, and FORCEJET are trademarks or registered trademarks of Riso Kagaku Corporation. ●Adobe®, AdobePS®, PostScript®, PostScript® 3™ and PostScript logo are either trademarks or registered trademarks of Adobe Systems Incorporated in the United States and/or other countries. ●Macintosh and Mac OS are trademarks of Apple, Inc.. ●Microsoft® and Windows® are either registered trademarks or trademarks of Microsoft Corporation, in the United States and/or other countries. ●Intel® and Celeron® are trademarks of Intel Corporation in the U.S. and other countries. ●FelliCa is a trademark or registered trademark of Sony Corporation. ●Mifare is a trademark or registered trademark of Royal Philips Electronics. ●SMAP is a trademark or registered trademark of SOFHA GmbH.



154 Lechwe Ave,
Corporate Park South, Midrand, 1683
Tel: +27 11 314 0562 Fax: +27 11 314 0700

For more details please contact: